**LECOEUR ELECTRONIQUE**

19, rue de Courtenay
45220 CHUELLES - FRANCE -
Tel : +33 (0)2 38 94 28 30
Fax : +33 (0)2 38 94 29 67



<mailto:info@lecoeur-electronique.com>

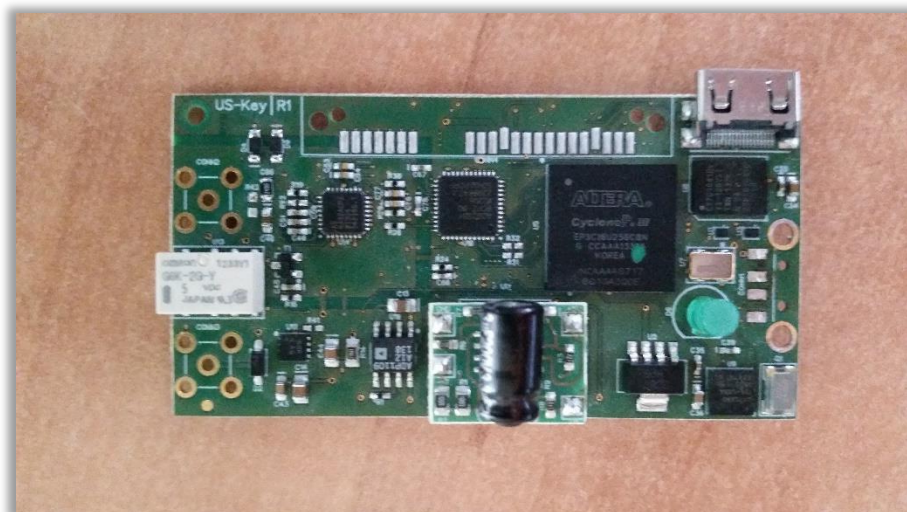


<http://www.lecoeur-electronique.com>

Rédacteur	S. BERLOLOTTO / JM.LECOEUR
Date	05/04/2015

US-SPI

Révision 1 le 5 Avril 2015



1 DESCRIPTION

US-SPI is our new generation ultrasound devices with a single channel to transmit and receive ultrasonic waves.

All functions are available through a SPI bus at 1MHz. This make the device compatible with any OS or embedded processor.

A single 5 Volts power supply is necessary.

It's very small size and its advanced technology allow to have a unique product for more applications like medical ultrasound imaging, the NDT and also for the research and university.

The transmitter can generate pulses with a voltage level and a width programmed by the user.

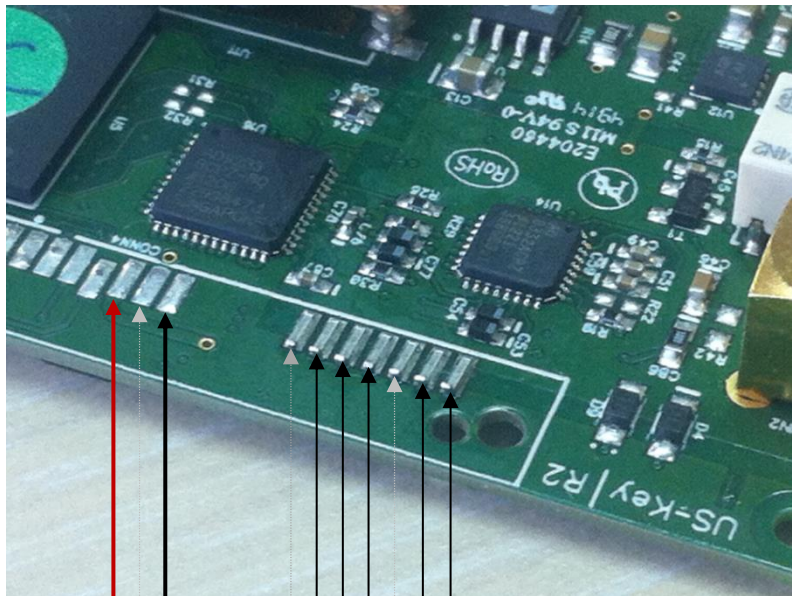
A low noise preamplifier combined to a VGA gives a gain range between 0 and 80 dB, a DAC curve is also available.

The bandwidth of the receiver is 0.5 MHz to 18 MHz

A 12 bits analog digital converter with a sampling frequency of 80 MHz is used to digitize ultrasound signals (8 bits are only available in the first version).

The device has 2 working modes: Transmission or Reflection.

2 HARDWARE

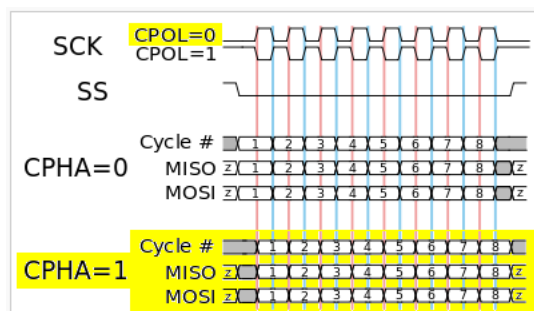


10	+5VDC 500mA (IN)
9	+3.3 (out)
8	GND
7	X (not wired)
6	SCLK
5	Data MOSI
4	Data MISO
3	X (not wired)
2	/Enable MISO (SS1)
1	/Enable MOSI (SS0)

ATTENTION : Maximum input voltage for all logic signals is 3.3V

3 SPI CONFIGURATION

SPI Mode	Clock Polarity (CPOL/CKP)	Clock Edge (CKE/NCPHA)
0	0	1
1	0	0
2	1	1
3	1	0



A timing diagram showing clock polarity and phase. The red vertical line represents CPHA=0 and the blue vertical line represents CPHA=1

4 SOFTWARE

To program US-Key SPI it's necessary to send up to 5 byte.

1 Byte (the last one to send) is a function number that you want to program (CMDSPI).

Depends of this function, between 1 to 4 other byte should be sent.

CMDSPI		Byte 1	Byte 2	Byte 3	Byte 4
Value	Function				
0	Gain (1)	Gain [7..0]	Gain[9..8]	Address[7..0]	-
1	-	-	-	-	-
2	Sampling request (2)	-	-	-	-
3	Compression	Factor[7..0]	-	-	-
4	Sampling request #1 (3)	X LSB	X MSB	-	-
5	Scale delay (4)	LSB	MSB	-	-
6	High voltage (5)	Voltage [7..0]	-	-	-
7	Pulse width (6)	Width[7..0]	-	-	-
8	PRF (7)	PRF[7..0]	PRF[15..8]	PRF[19..16]	-
9	Mode (8)	0/1	-	-	-
10	Scale (9)	Scale [7..0]	Scale[15..8]	-	-
11	ONOFF DAC	0/1	-	-	-
12	Echo-start (10)	Position[7..0]	Position[15..8]	Width[7..0]	Width[15..8]
13	Echo-start (11)	Polarity [7..0]	-	-	-
14	Filter	Filter[1..0]	-	-	-

- (1) Gain [9..0] → 0 dB = 65 and then +10/dB up to 80dB=865
Address [7..0] → Only when DAC curve is on to program 256 gain values by step of 650ns
- (2) When you send CMDSPI=2, the US-Key will store the current A-scan inside its FIFO
- (3) When you will read the Xth samples, the US-Key will store AUTOMATICALLY the current A-scan inside its FIFO
- (4) Scale delay in step of 25ns
- (5) Voltage[7..0]=(98/180)*X+81.777 230V<X<10V
- (6) Pulse width by step of 6.25ns. If value=0 then width=18ns up to 18+(255*6.25)=1600ns
- (7) PRF=Pulse Repetition Frequency → Period in step of 1.6μs
- (8) Mode 0=Pulse Echo / 1 = pitch & catch
- (9) Scale of the A-scan in step of 25ns
- (10) Echo-start=0 !!!!
- (11) Echo-start=0 !!!!
- (12) Filter → 0=1.25MHz, 1=2.5MHz, 2=5MHz, 3=10MHz, 4=No filter

5 SOFTWARE PROGRAMMING

PROGRAMMING US-SPI

This example is written in Basic language and given as a generic code to start development in other languages

In this language the access to SPI is done using this instruction:

```
spi.WriteRead(slave Select,wBuffer,nb of Byte To write,total number of Byte In transaction,rBuffer,number of Byte To read)
```

Where:

Slave Select is the number of the slave (0,1 is this example SS0 is the slave that write into US-SPI and SS1 is the slave that read US-SPI.

wBuffer is the buffer which will be written in US-SPI (bytes)

nb of Byte to write is the number of bytes to write from the wBuffer

number of Byte in transaction is the addition of read and write number of bytes.

rBuffer is the buffer which will be filled by the bytes red in US-SPI

number of Byte to read is the number of bytes to read from US-SPI and store in rBuffer

Example :

```
spi.WriteRead(0,wBuffercmd,3,3,rBuffercmd,0)
```

Write 3 bytes in US-SPI from wBuffercmd

```
spi.WriteReadasync(1,wBuffer,0,64,rBuffer,64)
```

Read 64 bytes from US-SPI and write them in rBuffer

1) Gain programming

“Gainc” contains the value of gain to be sent to US-SPI (0 to 80 db)

```
calculation_gain = gainc*(875-65)/80+65
```

```
wBuffercmd(0)=Floor(calculation_gain/256) 'msb  
wBuffercmd(1)=calculation_gain-Floor(calculation_gain/256)*256 'lsb  
wBuffercmd(2)=0 'selection gain  
spi.WriteRead(0,wBuffercmd,3,3,rBuffercmd,0)
```

NOTES :

2) Delay programming

“Delay” contains the value of the delay (beginning of sampling windows the width of the sampling windows is fix at 200 microseconds)

```
calculation_delay = delayc / 0.025 ' 25 nS step  
wBuffercmd(0)=Floor(calculation_delay/256) 'msb  
wBuffercmd(1)=calculation_delay-Floor(calculation_delay/256)*256 'lsb  
wBuffercmd(2)=5 ' delay selection  
spi.WriteRead(0,wBuffercmd,3,3,rBuffercmd,0)
```

NOTES :

3) Compression factor programming

“Consfactorcomp” contains the compression factor

```
wBuffera(0)=consfactcomp  
wBuffera(1)=3  
spi.WriteRead(0,wBuffera,2,2,rBuffer1,0)
```

The compression factor is used to modify the sampling frequency:

Compression factor =0 -> sampling frequency 80 MHz

Compression factor =1 -> sampling frequency 40 MHz

Compression factor =2 -> sampling frequency 20 MHz

.....

The compression factor does not work as a simple sampling frequency divider. It returns the maximum amplitude of the echo in the sampling period.

NOTES :

4) Transmitter voltage

Tensionc contains the voltage of the transmitter pulse (between 10 and 250 Volts)

```
wBuffera(0)=tensionc*(98/180)+81.7 `scaling  
wBuffera(1)=6  
spi.WriteRead(0,wBuffera,2,2,rBuffer1,0)
```

NOTES :

5) Transmitter pulse width

Conslargeur contains the frequency of the transmitter pulse in MHZ (between 1MHz and 20 MHz)

```
nb= (1000/(2*conslargeur)-27)/6.5 `convert the pulse frequency in width and  
scale it
```

```
wBuffera(0)=nb
```

```
wBuffera(1)=7
```

```
spi.WriteRead(0,wBuffera,2,2,rBuffer1,0)
```

NOTES :

6) Repetition frequency (PRF)

Consfreqrec contains the frequency of the pulse repetition (between 100Hz and 2 KHz)

```
consfreqrec = (1000000/consfreqrec)/0.025  
  
wBuffera(0)=Floor(consfreqrec/65536)  
wBuffera(1)=Floor((consfreqrec-Floor(consfreqrec/65536)*65536)/256)  
wBuffera(2)=consfreqrec-Floor((consfreqrec Floor(consfreqrec/65536)*65536)/256)*256  
wBuffera(3)=8  
spi.WriteRead(0,wBuffera,4,4,rBuffer1,0)
```

NOTES :

7) Receiver Filter

f contains the frequency of the filter (0=1.25MHz, 1=2.5MHz, 2=5MHz, 3=10MHz, 4=No filter)

```
wBuffercmd(0)=f  
wBuffercmd(1)=14  
spi.WriteRead(0,wBuffercmd,2,2,rBuffercmd,0)
```

NOTES :

8) Transmission/ reflexion (single or dual crystals)

```
If consreftrans =True Then

    wBuffera(0)= 0
    wBuffera(1)=9
    spi.WriteRead(0,wBuffera,2,2,rBufferl,0)'single crystal
Else

    wBuffera(0)= 1
    wBuffera(1)=9
    spi.WriteRead(0,wBuffera,2,2,rBufferl,0)'dual crystals

End If
```

NOTES :

9) Some initializations that must be done (not documented) for futures functions

Consechascan = 4000

```
wBuffercmd(0)=Floor(consechascan/256) 'msb  
wBuffercmd(1)=consechascan-Floor(consechascan/256)*256 'lsb  
wBuffercmd(2)=10 'selectionechascan  
spi.WriteRead(0,wBuffercmd,3,3,rBuffercmd,0)
```

pos=0,duree=10000,polarite=50

```
wBuffera(0)=Floor(duree/256)  
wBuffera(1)=duree-Floor(duree/256)*256  
wBuffera(2)=Floor(pos/256) 'msb  
wBuffera(3)=pos-Floor(pos/256)*256  
wBuffera(4)=12  
spi.WriteRead(0,wBuffera,5,5,rBufferl,0)
```

```
wBuffera(0)=polarite  
wBuffera(1)=13  
spi.WriteRead(0,wBuffera,2,2,rBufferl,0) 'polarite
```

```
wBuffera(0)=0  
wBuffera(1)=11  
spi.WriteRead(0,wBuffera,2,2,rBufferl,0)
```

nbpts=4000

```
wBuffercmd(0)=Floor(nbpts/256)  
wBuffercmd(1)=nbpts-Floor(nbpts/256)*256  
wBuffercmd(2)=4  
spi.WriteRead(0,wBuffercmd,3,3,rBuffercmd,0)
```

NOTES :

10) Signal (RF) acquisition

The more rapid method to acquire HF raw of samples is to set parameters described at points 1 to 9. Then you ask for a digitalization using:

```
wBuffera(0)=2  
spi.WriteRead(0,wBuffera,1,1,rBuffer1,0)'Initialise a new digitalisation
```

Then after a time value of PRF period the raw is available in a FIFO inside US-SPI, you just have to read them using:

```
spi.WriteReadasync(1,wBuffer,0,your nb of samples,rBuffer, your nb of samples)
```

rBuffer is filled with the RF raw :

```
header 1 : 101  
header 1 : 101  
Sample 1 : xx  
Sample 2 : xx  
Sample 3 : xx  
Sample 4 : xx  
...
```

Samples values are binary 0 to 255.

NOTES :